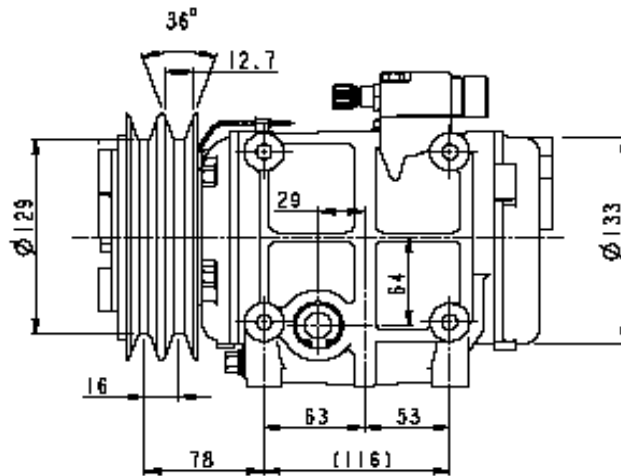




TM-31 COMPRESSOR



Displacement 19 cubic inches

Standard features

- Refrigerant : R-134A
- Clutch coil: 12 volt or 24 volt DC.
- Available with either Type A or Poly-V pulleys.
- Available in Direct mount configurations with sight glass.
- Rotation: either Clockwise & Counterclockwise
- Permissible speed: 700-6000 rpm