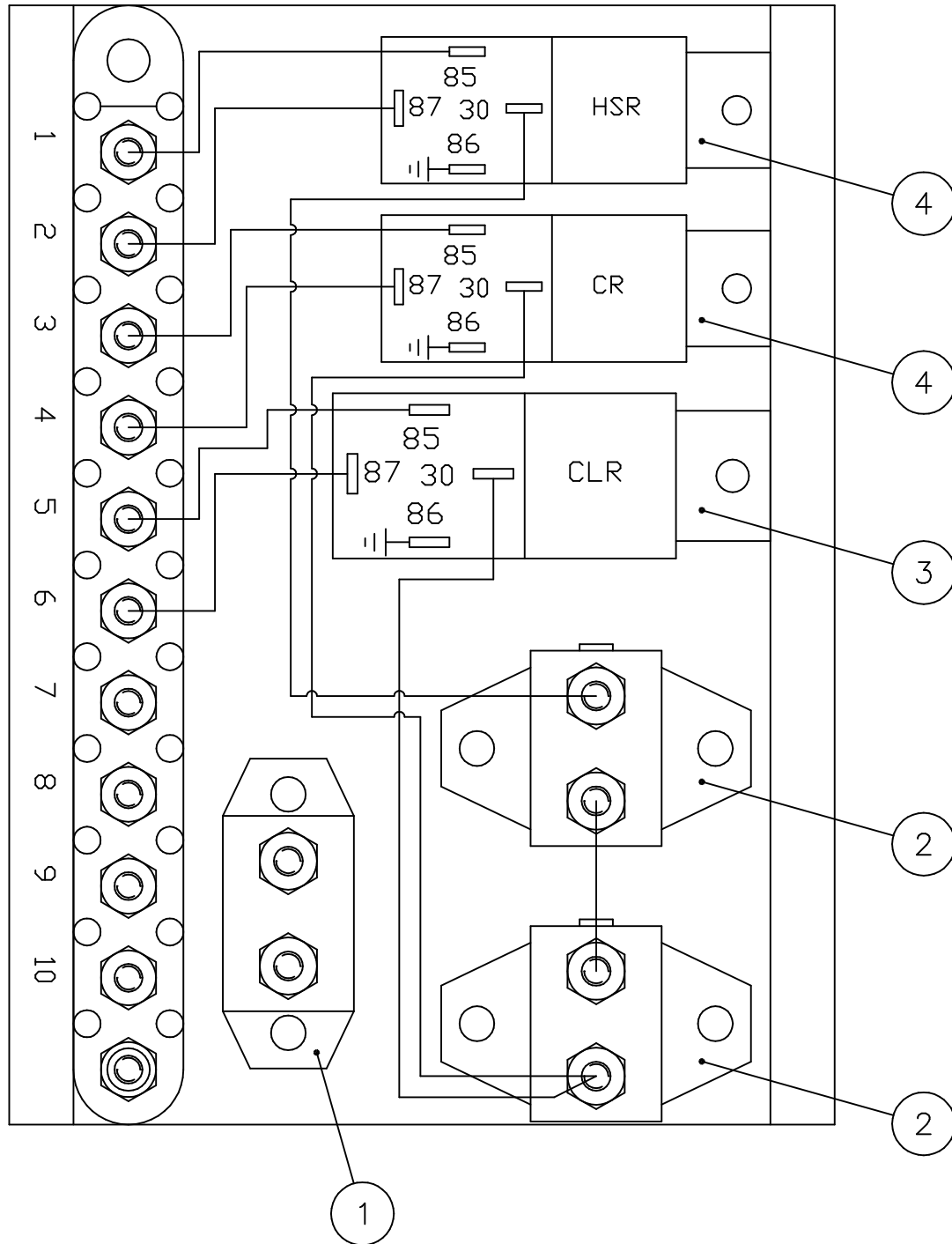
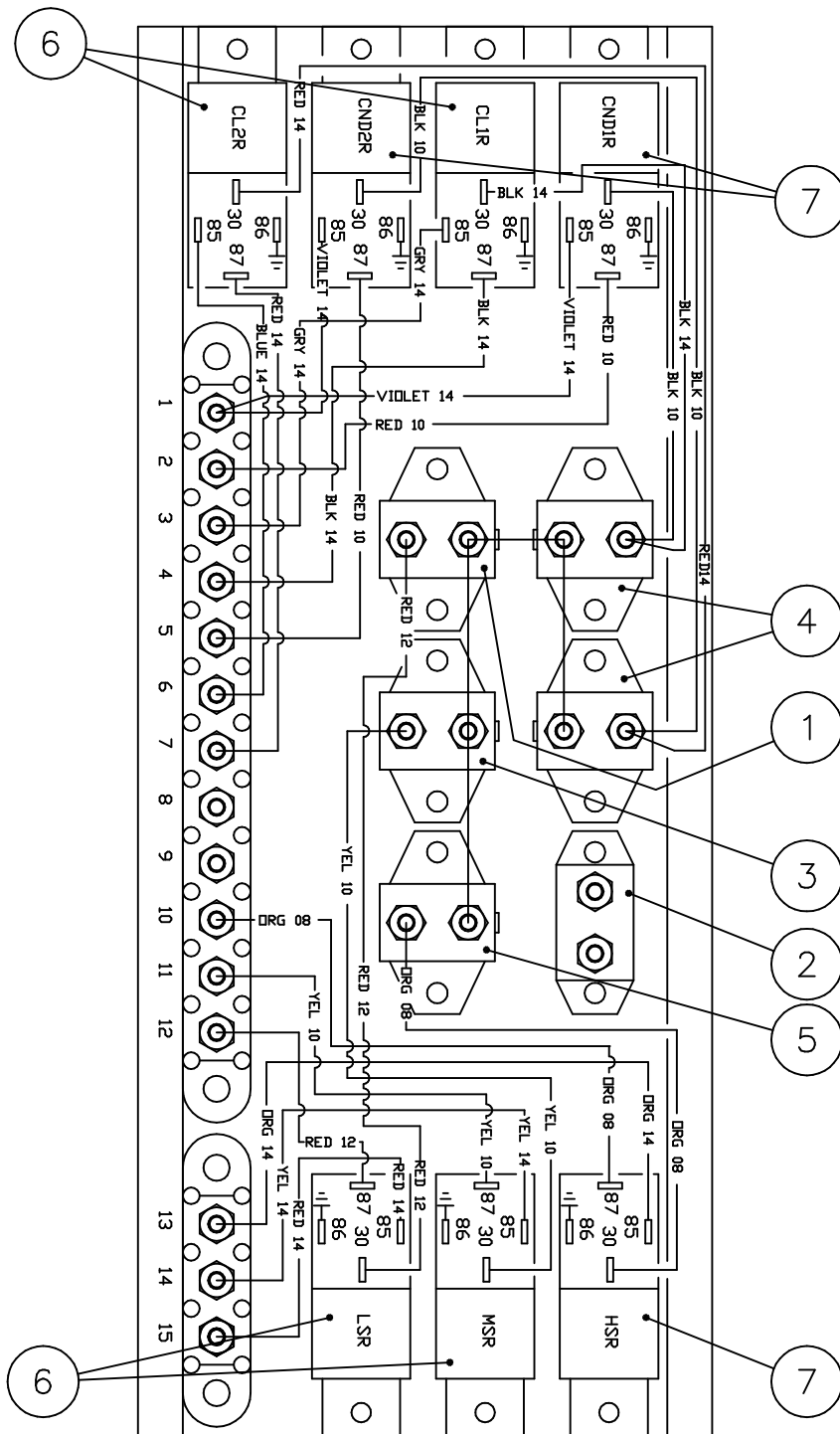


550-005 ELECTRICAL PANEL



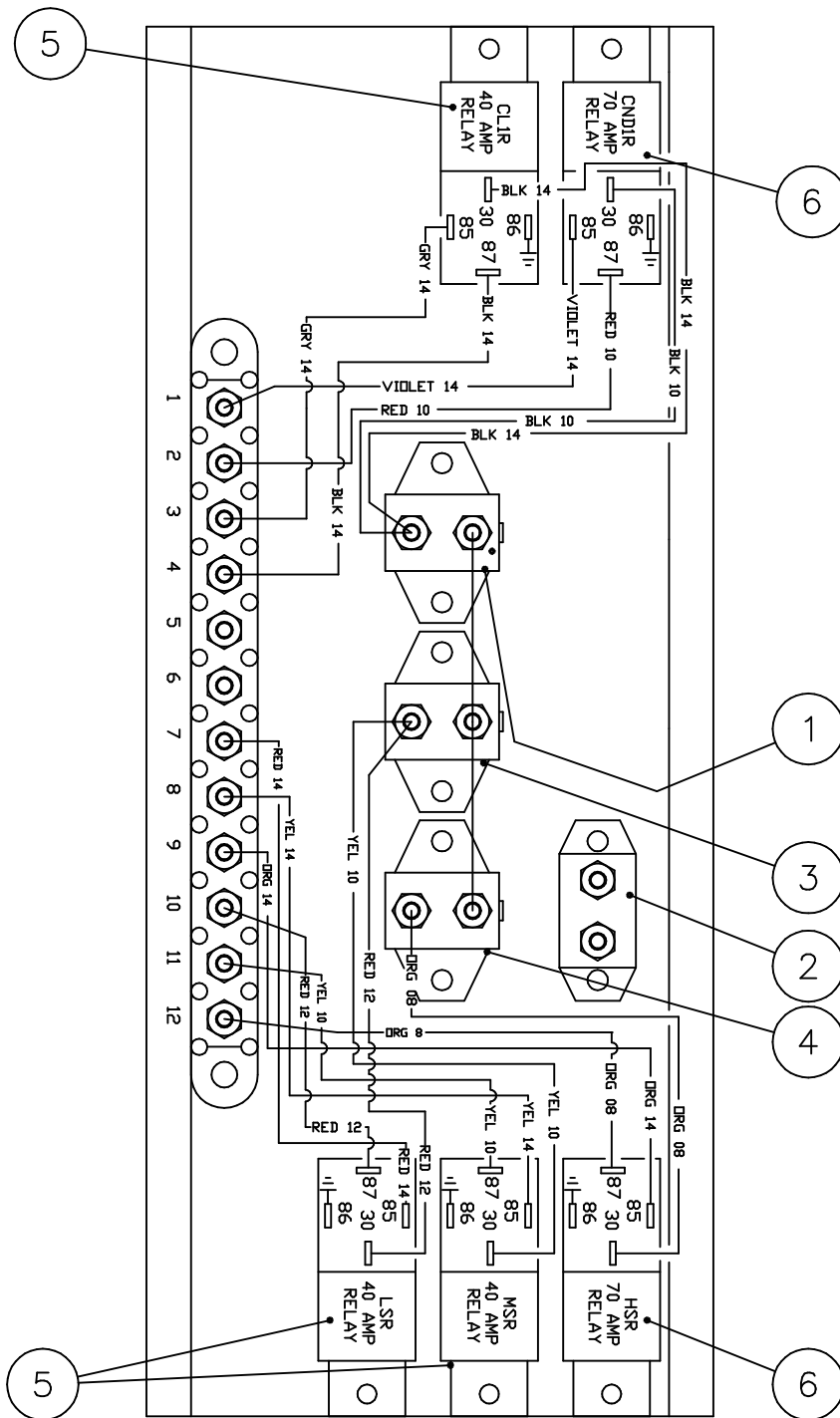
ITEM	PART NUM	DESCRIPTION	QTY
1	BRK-120	CIRCUIT BREAKER, 20 AMP, AUTOMATIC RESET	1
2	BRK-040	CIRCUIT BREAKER, 40 AMP, MANUAL RESET	2
3	REL-500	RELAY, 12V 40 AMP, 4 PRONG	1
4	REL-510	RELAY, 70 AMP, 4 PRONG	2

550-009 ELECTRICAL PANEL



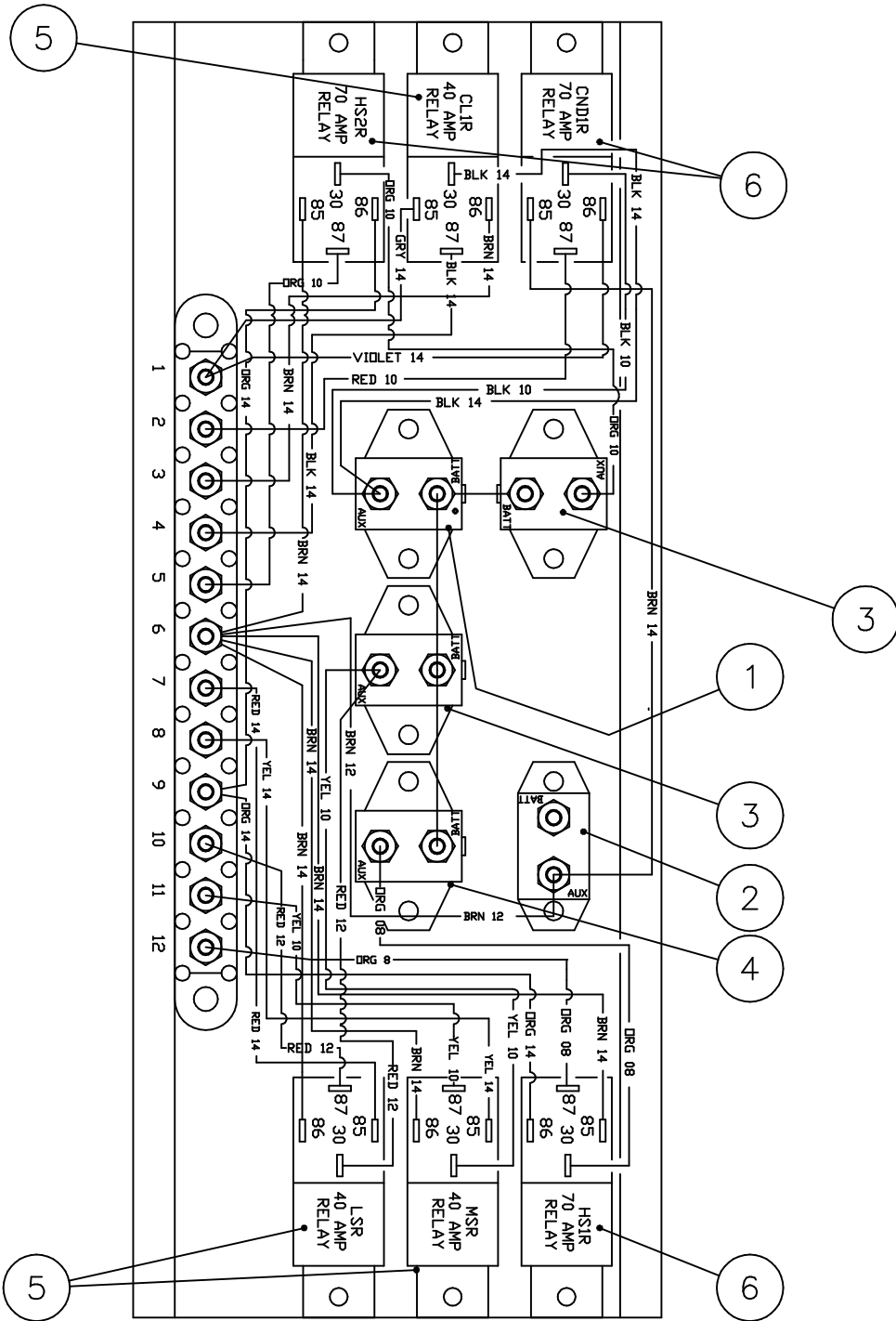
ITEM	PART NUM	DESCRIPTION	QTY
1	BRK-020	CIRCUIT BREAKER, 20 AMP, MANUAL RESET	1
2	BRK-120	CIRCUIT BREAKER, 20 AMP, AUTOMATIC RESET	1
3	BRK-030	CIRCUIT BREAKER, 30 AMP, MANUAL RESET	1
4	BRK-040	CIRCUIT BREAKER, 40 AMP, MANUAL RESET	2
5	BRK-050	CIRCUIT BREAKER, 50 AMP, MANUAL RESET	1
6	REL-500	RELAY, 12V 40 AMP, 4 PRONG	4
7	REL-510	RELAY, 70 AMP, 4 PRONG	3

550-091 ELECTRICAL PANEL



ITEM	PART NUM	DESCRIPTION	QTY
1	BRK-040	CIRCUIT BREAKER, 40 AMP, MANUAL RESET	1
2	BRK-120	CIRCUIT BREAKER, 20 AMP, AUTOMATIC RESET	1
3	BRK-030	CIRCUIT BREAKER, 30 AMP, MANUAL RESET	1
4	BRK-050	CIRCUIT BREAKER, 50 AMP, MANUAL RESET	1
5	REL-500	RELAY, 12V 40 AMP, 4 PRONG	3
6	REL-510	RELAY, 70 AMP, 4 PRONG	2

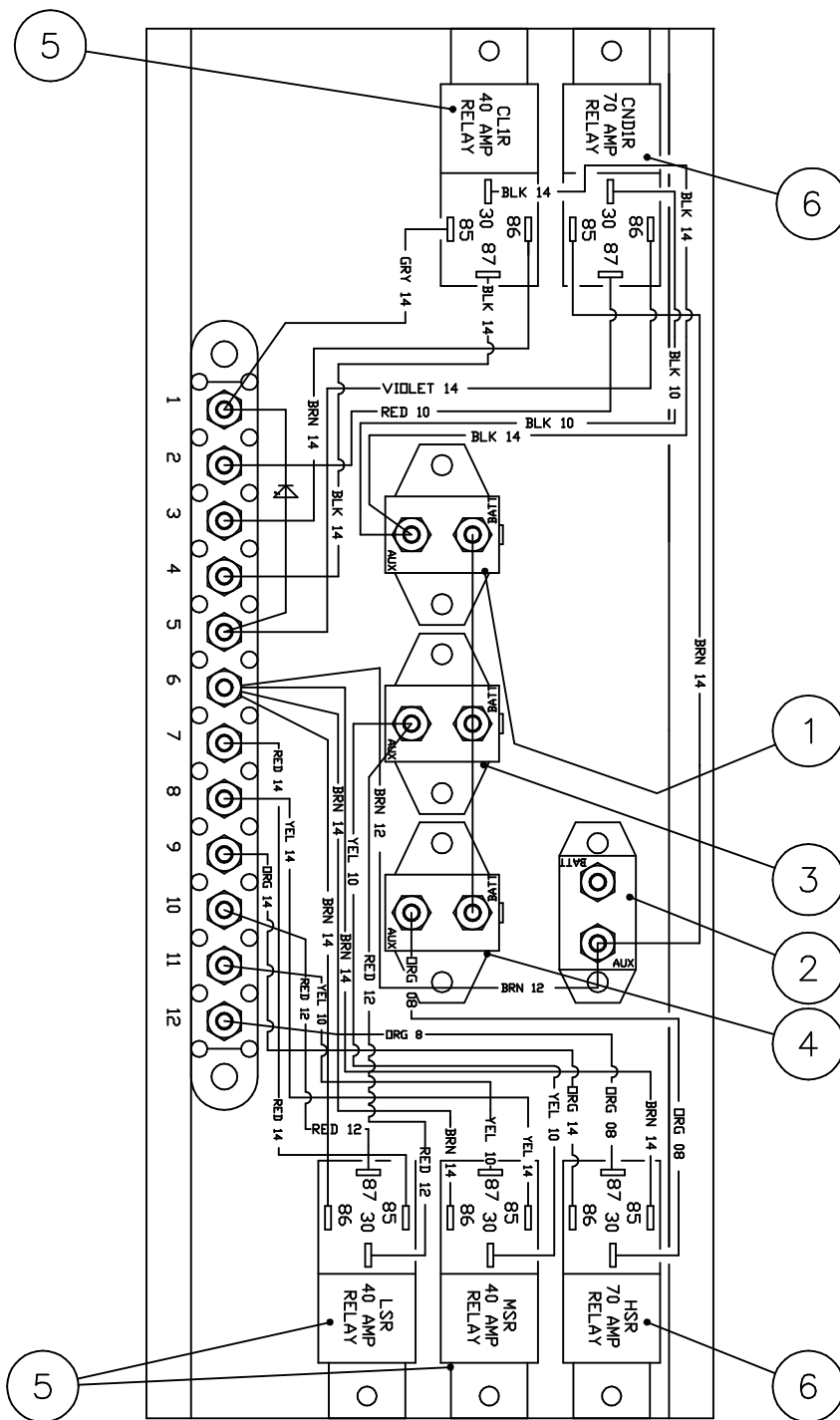
550-091-1 ELECTRICAL PANEL



NOTE: GROUND SIGNAL PANEL FOR DIGITAL CONTROLLER

ITEM	PART NUM	DESCRIPTION	QTY
1	BRK-040	CIRCUIT BREAKER, 40 AMP, MANUAL RESET	1
2	BRK-120	CIRCUIT BREAKER, 20 AMP, AUTOMATIC RESET	1
3	BRK-030	CIRCUIT BREAKER, 30 AMP, MANUAL RESET	2
4	BRK-050	CIRCUIT BREAKER, 50 AMP, MANUAL RESET	1
5	REL-500	RELAY, 12V 40 AMP, 4 PRONG	3
6	REL-510	RELAY, 70 AMP, 4 PRONG	3

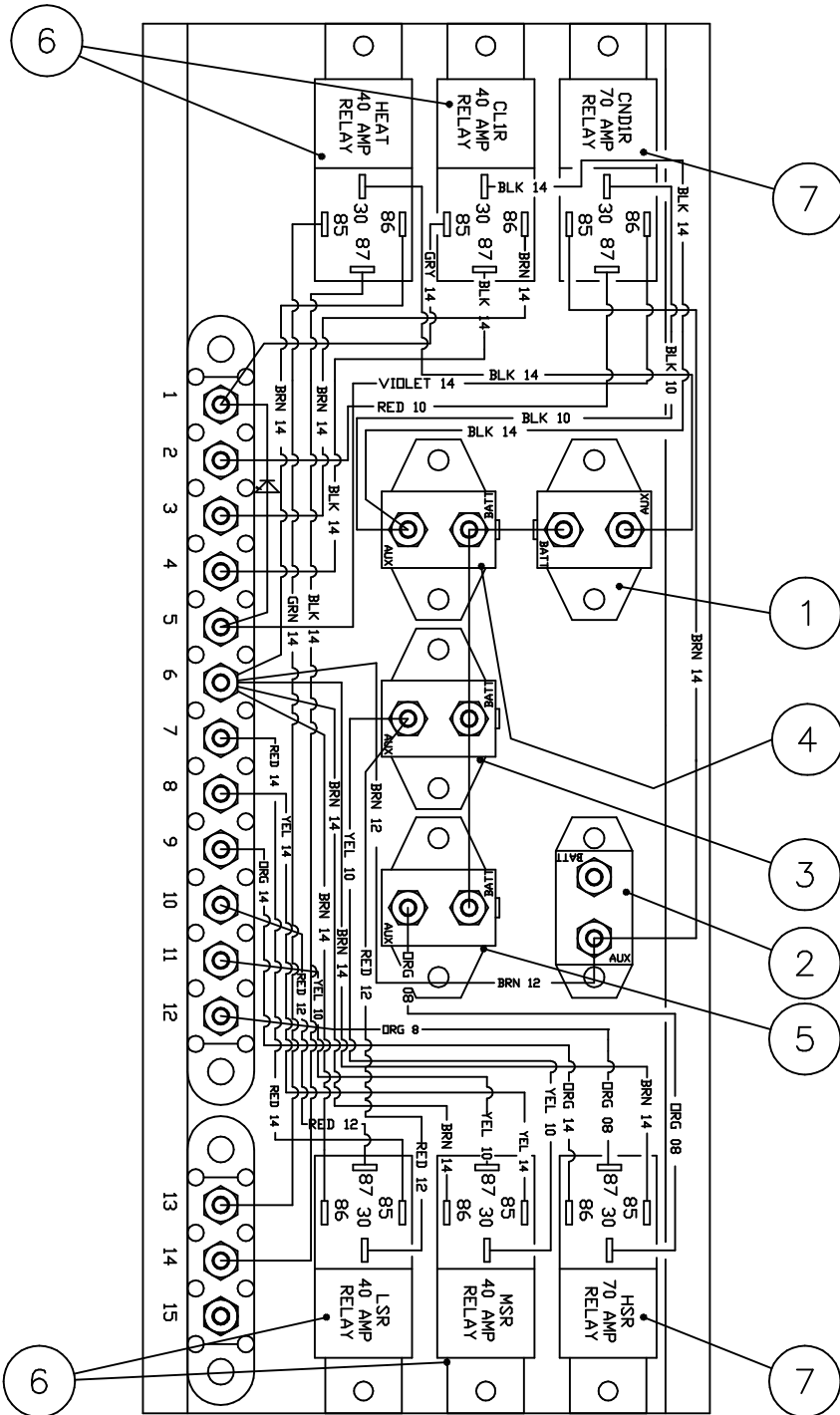
550-092 ELECTRICAL PANEL



NOTE: GROUND SIGNAL PANEL FOR DIGITAL CONTROLLER

ITEM	PART NUM	DESCRIPTION	QTY
1	BRK-040	CIRCUIT BREAKER, 40 AMP, MANUAL RESET	1
2	BRK-120	CIRCUIT BREAKER, 20 AMP, AUTOMATIC RESET	1
3	BRK-030	CIRCUIT BREAKER, 30 AMP, MANUAL RESET	1
4	BRK-050	CIRCUIT BREAKER, 50 AMP, MANUAL RESET	1
5	REL-500	RELAY, 12V 40 AMP, 4 PRONG	3
6	REL-510	RELAY, 70 AMP, 4 PRONG	2

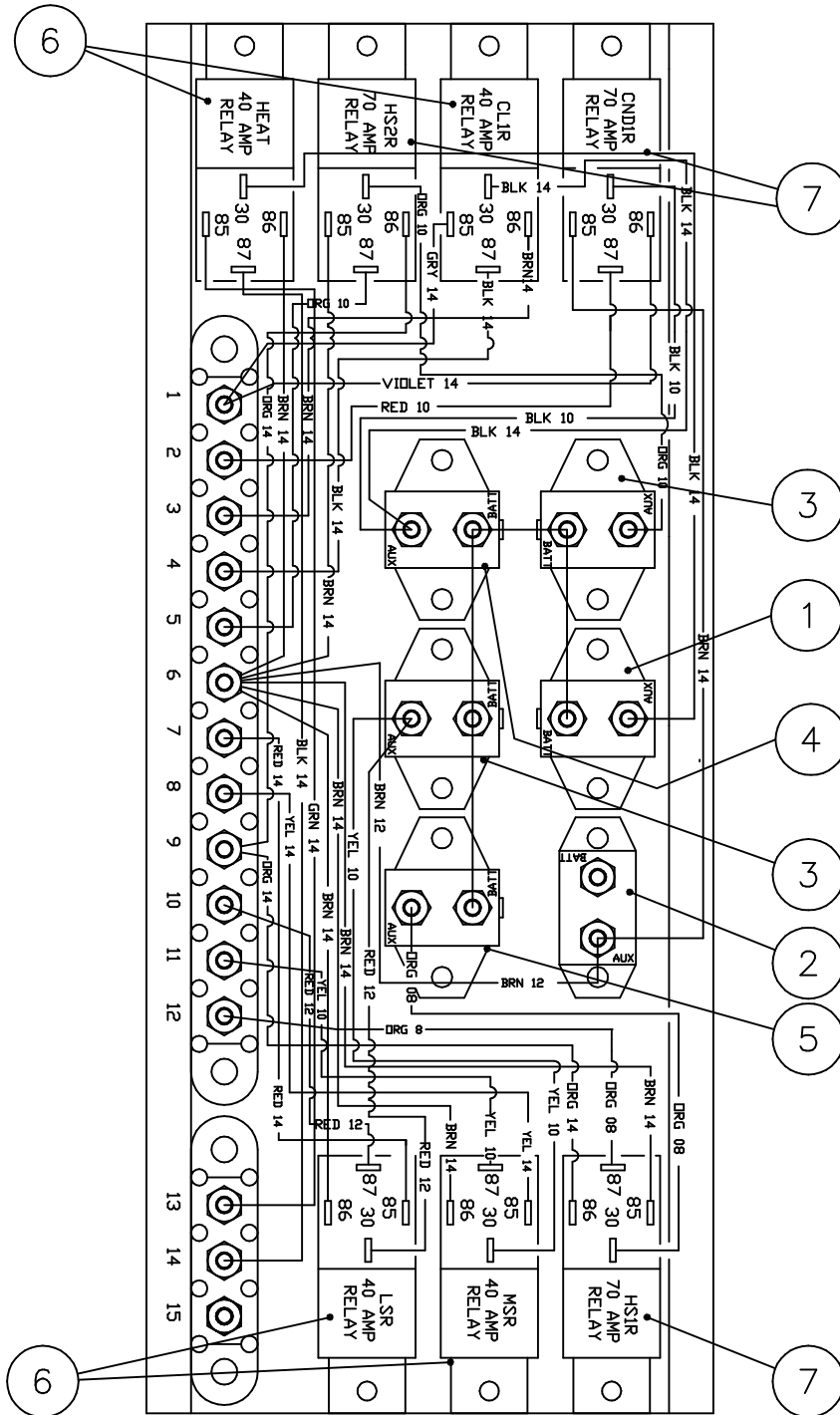
550-092-1 ELECTRICAL PANEL



NOTE: GROUND SIGNAL PANEL FOR DIGITAL CONTROLLER

ITEM	PART NUM	DESCRIPTION	QTY
1	BRK-020	CIRCUIT BREAKER, 20 AMP, MANUAL RESET	1
2	BRK-120	CIRCUIT BREAKER, 20 AMP, AUTOMATIC RESET	1
3	BRK-030	CIRCUIT BREAKER, 30 AMP, MANUAL RESET	1
4	BRK-040	CIRCUIT BREAKER, 40 AMP, MANUAL RESET	1
5	BRK-050	CIRCUIT BREAKER, 50 AMP, MANUAL RESET	1
6	REL-500	RELAY, 12V 40 AMP, 4 PRONG	4
7	REL-510	RELAY, 70 AMP, 4 PRONG	2

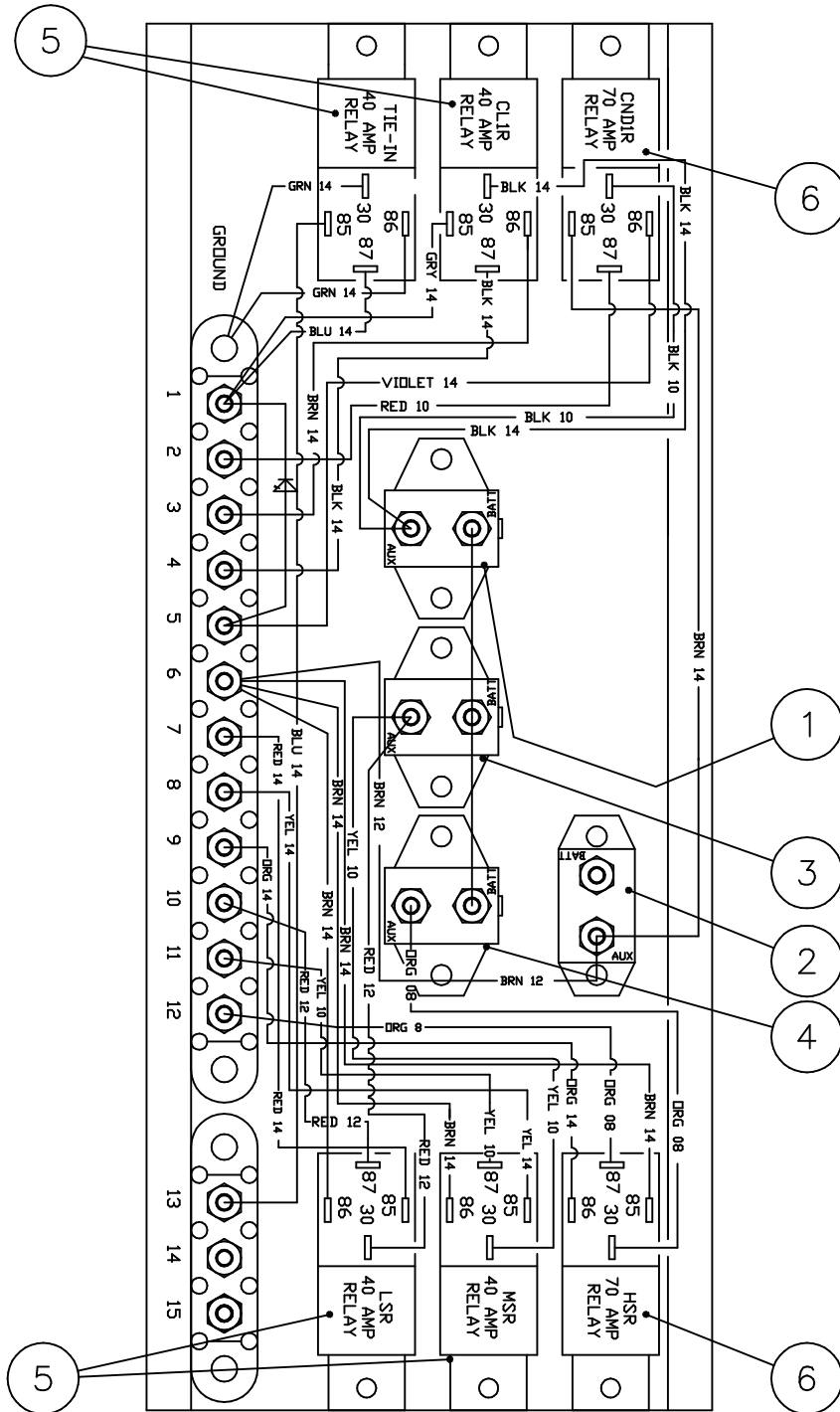
550-093 ELECTRICAL PANEL



NOTE: GROUND SIGNAL PANEL FOR DIGITAL CONTROLLER

ITEM	PART NUM	DESCRIPTION	QTY
1	BRK-020	CIRCUIT BREAKER, 20 AMP, MANUAL RESET	1
2	BRK-120	CIRCUIT BREAKER, 20 AMP, AUTOMATIC RESET	1
3	BRK-030	CIRCUIT BREAKER, 30 AMP, MANUAL RESET	2
4	BRK-040	CIRCUIT BREAKER, 40 AMP, MANUAL RESET	1
5	BRK-050	CIRCUIT BREAKER, 50 AMP, MANUAL RESET	1
6	REL-500	RELAY, 12V 40 AMP, 4 PRONG	4
7	REL-510	RELAY, 70 AMP, 4 PRONG	3

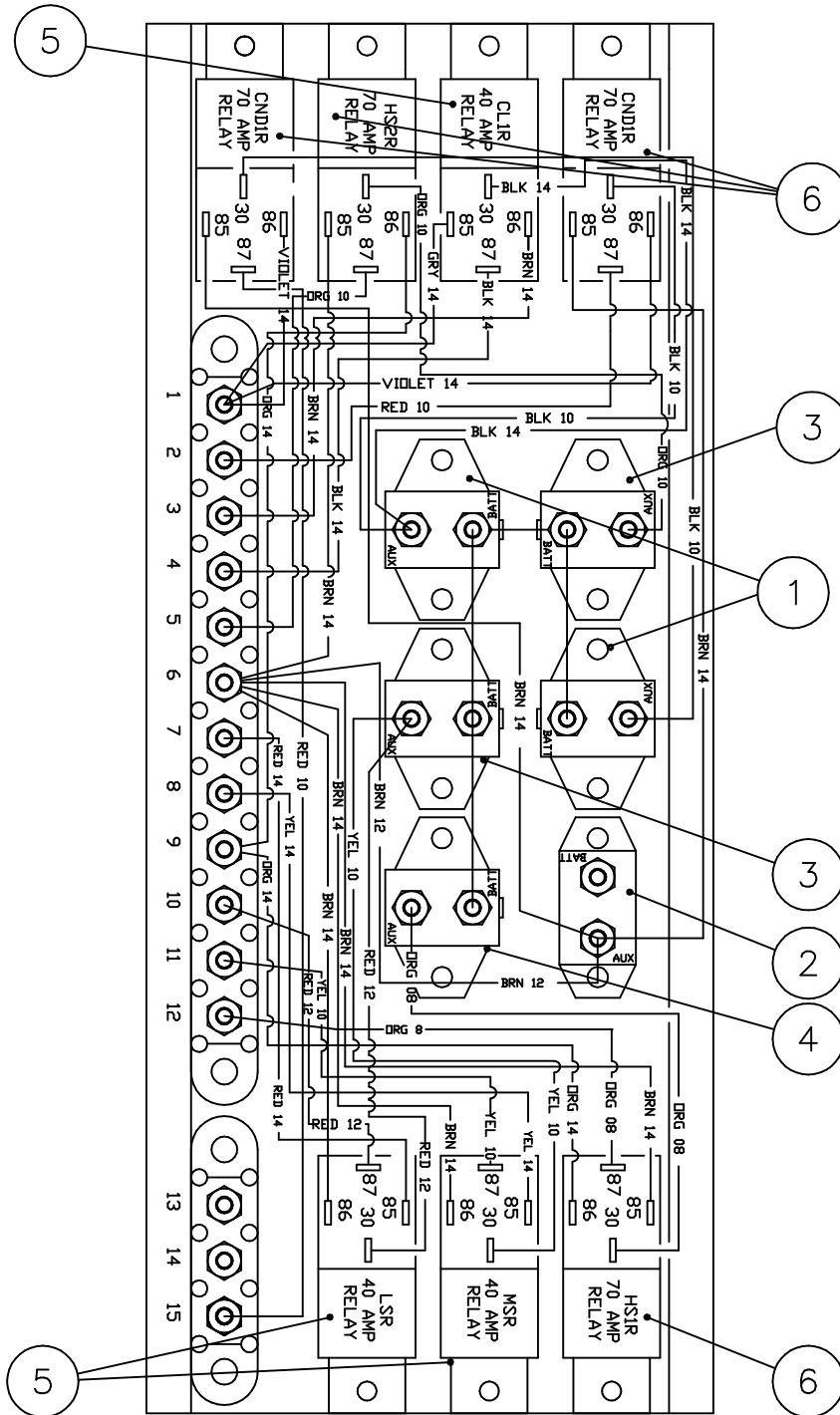
550-094 ELECTRICAL PANEL



NOTE: GROUND SIGNAL PANEL FOR DIGITAL CONTROLLER

ITEM	PART NUM	DESCRIPTION	QTY
1	BRK-040	CIRCUIT BREAKER, 40 AMP, MANUAL RESET	1
2	BRK-120	CIRCUIT BREAKER, 20 AMP, AUTOMATIC RESET	1
3	BRK-030	CIRCUIT BREAKER, 30 AMP, MANUAL RESET	1
4	BRK-050	CIRCUIT BREAKER, 50 AMP, MANUAL RESET	1
5	REL-500	RELAY, 12V 40 AMP, 4 PRONG	4
6	REL-510	RELAY, 70 AMP, 4 PRONG	2

550-095 ELECTRICAL PANEL



NOTE: GROUND SIGNAL PANEL FOR DIGITAL CONTROLLER

ITEM	PART NUM	DESCRIPTION	QTY
1	BRK-040	CIRCUIT BREAKER, 40 AMP, MANUAL RESET	2
2	BRK-120	CIRCUIT BREAKER, 20 AMP, AUTOMATIC RESET	1
3	BRK-030	CIRCUIT BREAKER, 30 AMP, MANUAL RESET	1
4	BRK-050	CIRCUIT BREAKER, 50 AMP, MANUAL RESET	1
5	REL-500	RELAY, 12V 40 AMP, 4 PRONG	3
6	REL-510	RELAY, 70 AMP, 4 PRONG	4