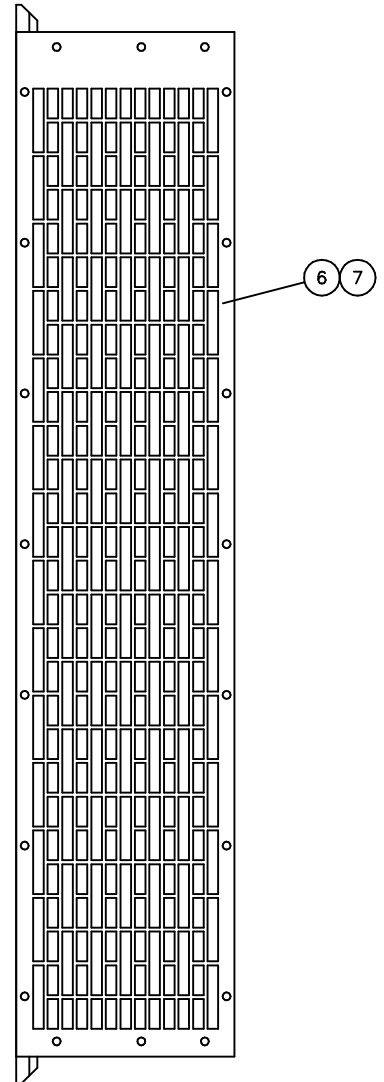
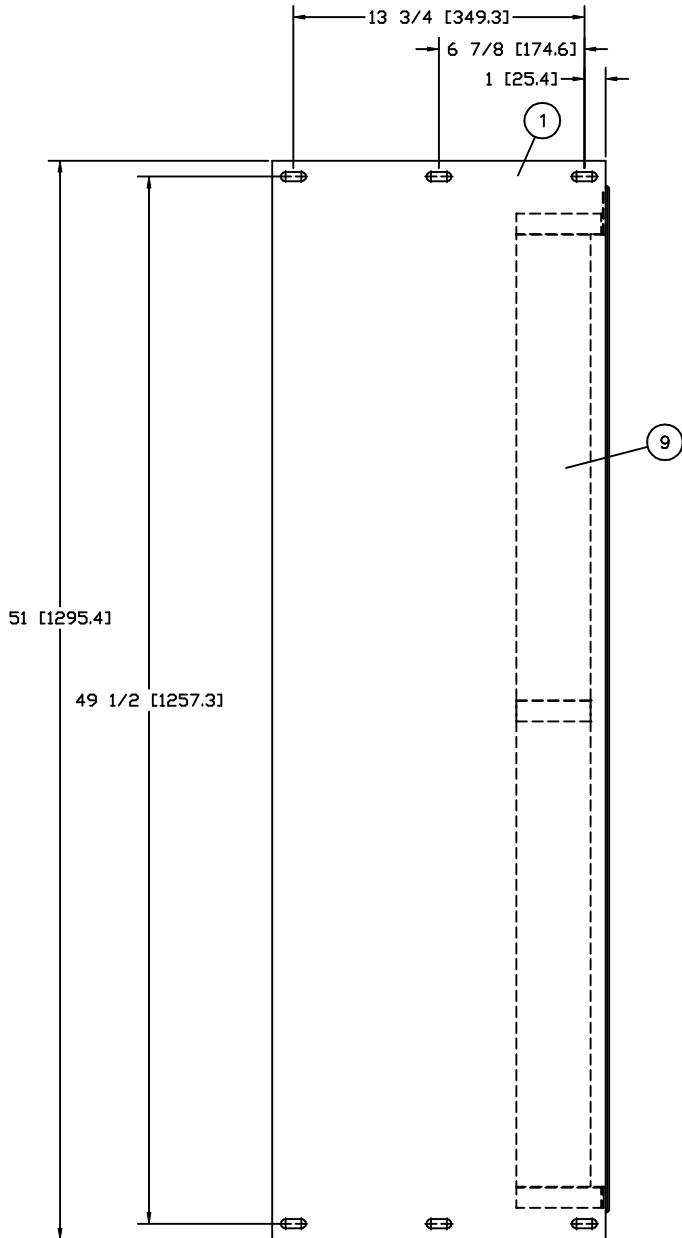
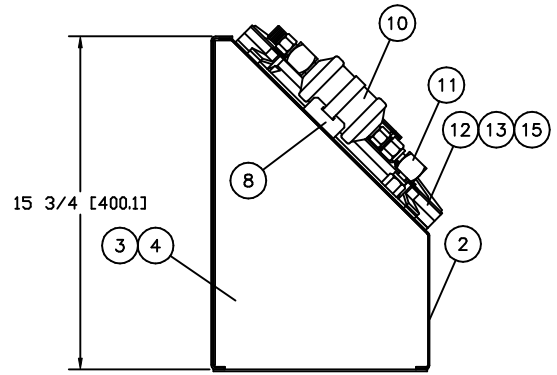


# CS-3 CONDENSER

<b>ITEM</b>	<b>PART NUM</b>	<b>DESCRIPTION</b>	<b>QTY</b>
1	310-006	TOP PLATE	1
2	310-007	FAN DECK PLATE	1
3	310-003	END PLATE, RIGHT HAND	1
4	310-004	END PLATE, LEFT HAND	1
5	310-005	BAFFLE PLATE (NOT SHOWN)	2
6	310-009	GRILL, 3 FAN CONDENSER	1
7	310-009-BK	GRILL, CONDENSER MNT, CS-3 COND, BLACK	1
8	310-010-1	BRACKET, FILTER DRIER	1
9	CSC-004	COIL ASSEMBLY, CS-3 COND	1
10	DSI-300	FILTER DRIER, 16 CU. IN., 1/2 MO W/SIGHTGLASS COMBINATION	
11	FTG-155	FTG, 90 DEG SWIVEL 1/2" FOR X 1/2"	1
12	MTR-105P	FAN ASSY., CONDENSER, EXTERNAL/PULL 12", 12V 12V, W/(4)MTF-001 MTG. FEET	3
13	580-043	FUSE, TYPE MDL, 20 AMPS, 32 VOLTS 1/4 DIA X 1 1/4 LG	3
14	340-001	WIRING HARNESS, CS-3 CONDENSER (NOT SHOWN)	1
15	SRB-001	BUSHING, STRAIN RELIEF, 18-16 GA. 2-3 COND. RND CABLE, U SLOT	3
<b>OPTIONAL (NOT SHOWN)</b>			
16	HPS-504-P	PRESSURE SWITCH, HIGH, 300-200 PSI	1
17	LPS-101-P	PRESSURE SWITCH, LOW, 30-10 PSI	1
18	VAL-001	VALVE, REFRIGERANT DRIER SHUT OFF, OUTLET	1
19	VAL-004	VALVE, REFRIGERANT DRIER SHUT OFF, INLET WITH R134A ACCESS	1
20	300-038	WINTER GUARD KIT, CS-3 COND	1

# CS-3 CONDENSER

SERIAL # UP TO 30-10445



# CS-3 CONDENSER

<b>ITEM</b>	<b>PART NUM</b>	<b>DESCRIPTION</b>	<b>QTY</b>
1	310-106	TOP PLATE	1
2	310-107	FAN DECK PLATE	1
3	310-103	END PLATE, RIGHT HAND	1
4	310-104	END PLATE, LEFT HAND	1
5	310-105	BAFFLE PLATE (NOT SHOWN)	2
6	310-009	GRILL, 3 FAN CONDENSER	1
7	310-009-BK	GRILL, CONDENSER MNT, CS-3 COND, BLACK	1
8	310-010-1	BRACKET, FILTER DRIER	1
9	CSC-104	COIL ASSEMBLY, CS-3 COND	1
10	DSI-300	FILTER DRIER, 16 CU. IN., 1/2 MO W/SIGHTGLASS COMBINATION	
11	FTG-155	FTG, 90 DEG SWIVEL 1/2" FOR X 1/2"	1
12	MTR-105P	FAN ASSY., CONDENSER, EXTERNAL/PULL 12", 12V 12V, W/(4)MTF-001 MTG.FEET	3
13	580-043	FUSE, TYPE MDL, 20 AMPS, 32 VOLTS 1/4 DIA X 1 1/4 LG	3
14	340-001	WIRING HARNESS, CS-3 CONDENSER (NOT SHOWN)	1
15	SRB-001	BUSHING, STRAIN RELIEF, 18-16 GA. 2-3 COND. RND CABLE, U SLOT	3
<b>OPTIONAL (NOT SHOWN)</b>			
16	HPS-504-P	PRESSURE SWITCH, HIGH, 300-200 PSI	1
17	LPS-101-P	PRESSURE SWITCH, LOW, 30-10 PSI	1
18	VAL-001	VALVE, REFRIGERANT DRIER SHUT OFF, OUTLET	1
19	VAL-004	VALVE, REFRIGERANT DRIER SHUT OFF, INLET WITH R134A ACCESS	1
20	300-038	WINTER GUARD KIT, CS-3 COND	1
21	301-020	ADAPTER MOUNTING KIT, REGULAR TO (N.V.)	1

# CS-3 CONDENSER

SERIAL # BEGINING 30-10445

